

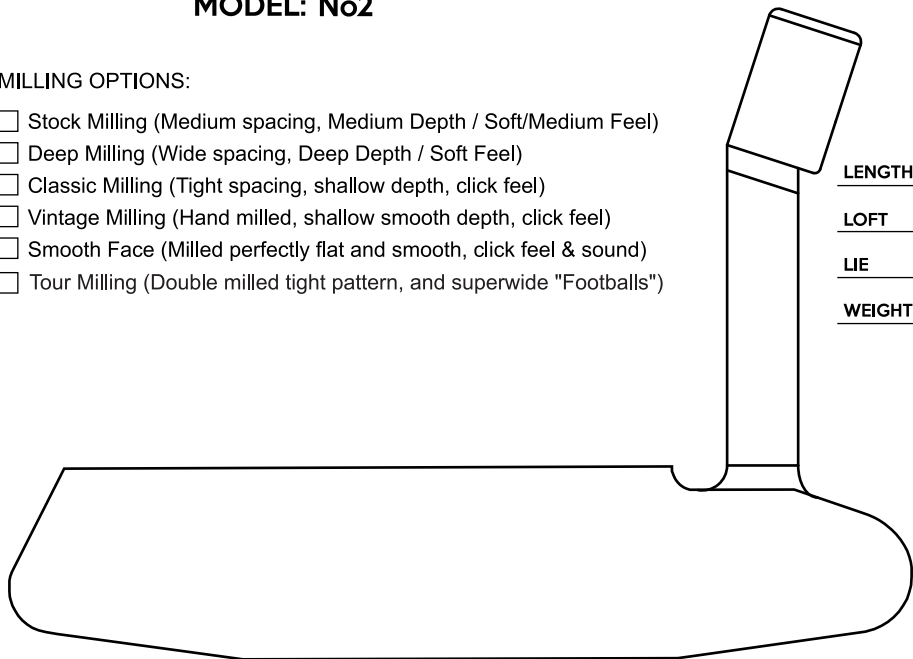


# RH

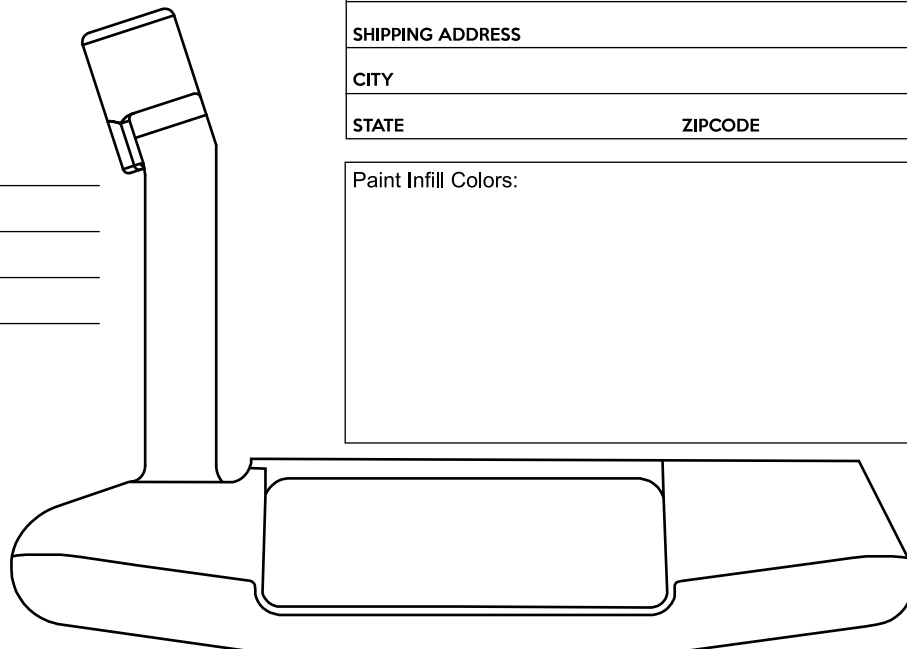
**MODEL: No2**

**MILLING OPTIONS:**

- Stock Milling (Medium spacing, Medium Depth / Soft/Medium Feel)
- Deep Milling (Wide spacing, Deep Depth / Soft Feel)
- Classic Milling (Tight spacing, shallow depth, click feel)
- Vintage Milling (Hand milled, shallow smooth depth, click feel)
- Smooth Face (Milled perfectly flat and smooth, click feel & sound)
- Tour Milling (Double milled tight pattern, and superwide "Footballs")

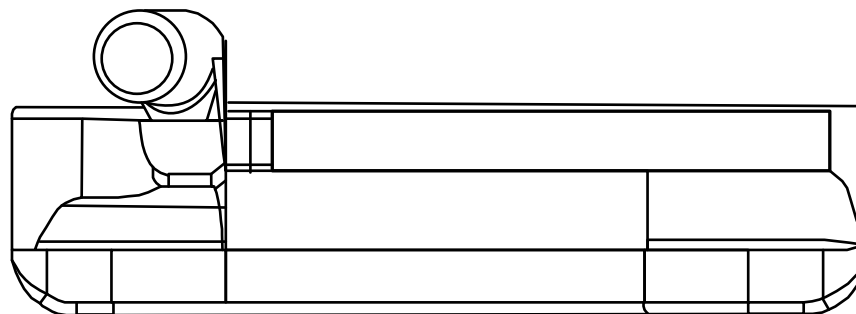
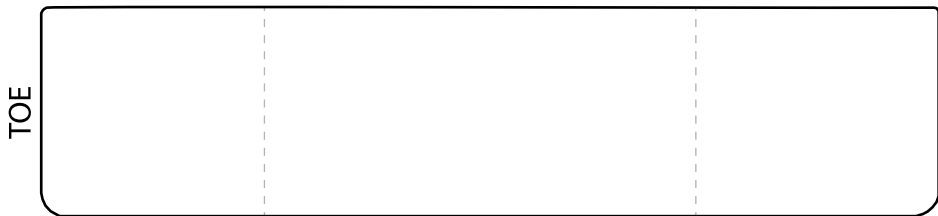


LENGTH \_\_\_\_\_  
 LOFT \_\_\_\_\_  
 LIE \_\_\_\_\_  
 WEIGHT \_\_\_\_\_



CUSTOMER INFORMATION	
NAME	
CONTACT NUMBER	
EMAIL ADDRESS	
SHIPPING ADDRESS	
CITY	
STATE	ZIPCODE

Paint Infill Colors:



**MATERIAL:**

- Carbon Steel
- 303 Stainless Steel

**NECK OPTIONS:**

- Standard offset Plumbers
- Longneck Plumbers
- Flowneck
- Superflow
- Centershaft
- Mid-Slant

**FINISH OPTIONS:**

- Dark Oil Can (Carbon Heads Only)
- Matte Black Oil Can (Carbon Heads Only)
- Nickel Plated (Carbon Heads Only)
- Patina (Rusted - Carbon Only)
- Oil Can (Stainless)
- Stainless Mist (Stainless)
- Matte Black (Stainless)

STOCK FACE ENGRAVING    TOP LINE OPTIONS    FLANGE LINE OPTIONS

